

Part number

# CHP 24 L



## Brief description:

surface mounting housings with single lever, size "104.27", Pg21, metal version, IP66

| Product description       |   |
|---------------------------|---|
| Version                   | metal version                               |
| Series                    | surface mounting housings with single lever |
| Product type              | with 1 lever                                |
| Family                    | CLASS enclosures                            |
| Size                      | size "104.27"                               |
| Technical data            |   |
| Material                  | metal                                       |
| IP degree of protection   | IP66 (and IP69K DIN 40050 - 9)              |
| Cable entry               | Pg21  |
| Further technical details |   |
| Weight                    | 354,00 g                                    |

| Approvals / Standards        |                            |
|------------------------------|----------------------------|
| Quality mark                 | UL (type:4/4X/12), CE, EAC |
| Conformity                   | CQC, CE                    |
| General ordering information |                            |
| EAN13 code                   | 8015747022538              |
| Tariff number                | 85369095                   |
| Packaging Information        |                            |
| Packaging length             | 475,00 mm                  |
| Packaging height             | 180,00 mm                  |
| Packaging width              | 200,00 mm                  |
| Packaging weight             | 3,58 kg                    |
| Packaging volume             | 17,10 dm <sup>3</sup>      |
| Packaging description        | Carton box                 |
| Packaging quantity           | 10 Pcs                     |
| Packaging EAN code           | 8015747022545              |
| Sub-packaging weight         | 1,79 kg                    |
| Sub-packaging description    | Plastic pakaging           |
| Sub-packaging quantity       | 5 Pcs                      |
| Sub-packaging EAN barcode    | 8015747022552              |

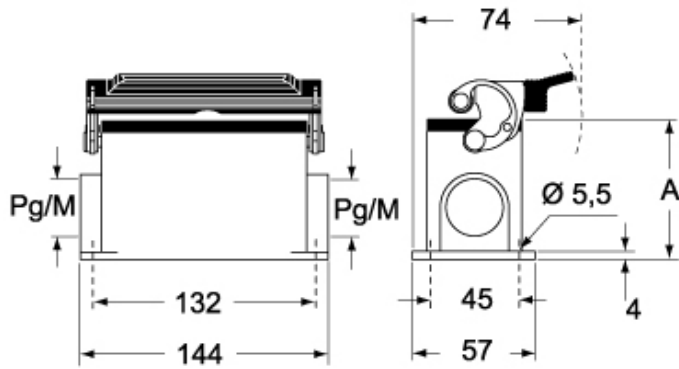
Part number

# CHP 24 L

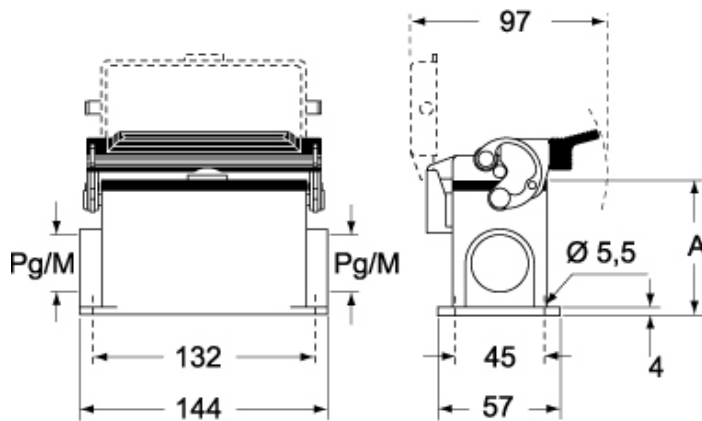


Catalogue drawings

## CHP L CAP L - MHP L MAP L



## CHP LS CAP LS - MHP LS MAP LS



|                 | A  |
|-----------------|----|
| CHP L / MHP L   | 63 |
| CAP L / MAP L   | 80 |
| CHP LS / MHP LS | 63 |
| CAP LS / MAP LS | 80 |